

**QUALITY**

**CELEBRATING 25 YEARS**



**OF FABRICATION EXCELLENCE**

**METAL WORKS**



**SHIPBOARD FURNISHINGS**



## CUSTOM ADVANTAGE

**Have a custom design in mind?**

**QMW has your solution.**

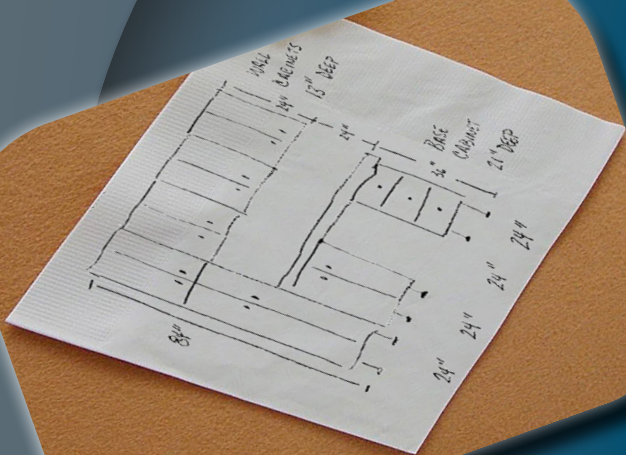
At Quality Metal Works, customized design and fabrication is what we do. In addition to the stock items shown in this catalog, we also design and fabricate items to meet your specific projects needs. From custom cabinet sizing to instrumentation specific custom electrical enclosures, Quality Metal Works will meet your requirements.



**You don't have a design staff?**

**QMW has your solution.**

Our highly trained engineering staff will work closely with you to bring your design concept to reality. We can fabricate from the most complex of drawings to even the simplest of napkin sketches. Our solids modeling software will allow you to visualize your project in 3-D prior to ever fabricating a single component.



**Is your project behind schedule?**

**QMW has your solution.**

Quality Metal Works offers expedited pricing allowing our customers with time limitations to meet their project goals.

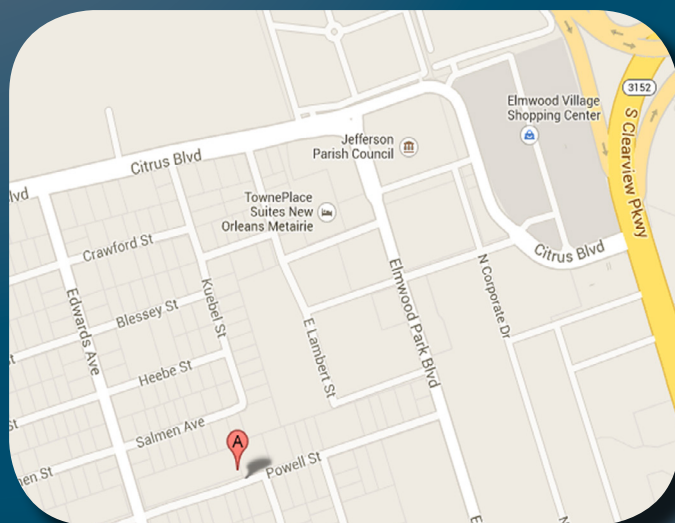


**Quality Metal Works was founded in 1989 and has been producing high quality shipboard furnishings and custom instrumentation enclosures for 25 years. But we don't stop there. QMW offers a diverse array of solutions for your manufacturing needs ranging from CAD/CAM design to 3D machining to custom replication and or upgrade of your existing components. Any item listed in this catalog can be custom sized to meet your installations needs. Let Quality Metal Works take your project to the next level and see the difference Quality can make.**



**Quality Metal Works is centrally located in a 20,000 sq. ft. facility in Elmwood Business Park. We are just minutes from Downtown New Orleans and all of the fine food and spirits of the French Quarter. We are also just a few miles from Louis Armstrong New Orleans International Airport.**

**Thank you for taking the time to browse our catalog and we welcome the opportunity to serve all of your fabrication needs.**



**Quality Metal Works Inc.**

**5622 Powell Street**

**New Orleans, LA. 70123**

**504 • 734 • 7216 (Office)**

**504 • 734 • 7219 (Fax)**

**Info@QMWINC.NET**

**WWW.QMWINC.NET**



## CONTENTS

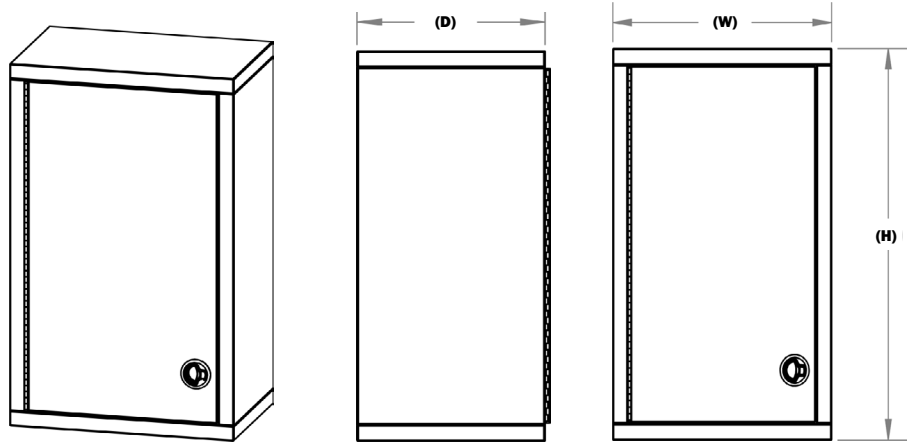
<b>About Us</b>	<b>II</b>
<b>Contents</b>	<b>IV</b>
<b>Galley Cabinets</b>	<b>1</b>
<b>Galley Counter Tops</b>	<b>4</b>
<b>Mess Furnishings</b>	<b>6</b>
<b>Crew Comfort</b>	<b>10</b>
<b>Crew Hygiene</b>	<b>13</b>
<b>Crew Storage</b>	<b>14</b>
<b>Equipment Storage</b>	<b>16</b>
<b>Safety Items</b>	<b>18</b>
<b>Chart Storage</b>	<b>20</b>
<b>Office Furnishings</b>	<b>22</b>
<b>Lavatory Furnishings</b>	<b>24</b>
<b>Pilot House Consoles</b>	<b>26</b>
<b>Custom Electrical Enclosures</b>	<b>28</b>
<b>Custom Capabilities</b>	<b>30</b>



## WALL CABINETS

### SINGLE DOOR WALL CABINET

- Choice of construction material include aluminum, mild steel or stainless steel.
- Stainless steel hinges
- Black polycarbonate latches (\*stainless steel optional)
- Optional key locking latches
- One or two inner shelves
- Choice of powder coat or conventional paint
- Many color options available
- Optional HPPL laminate

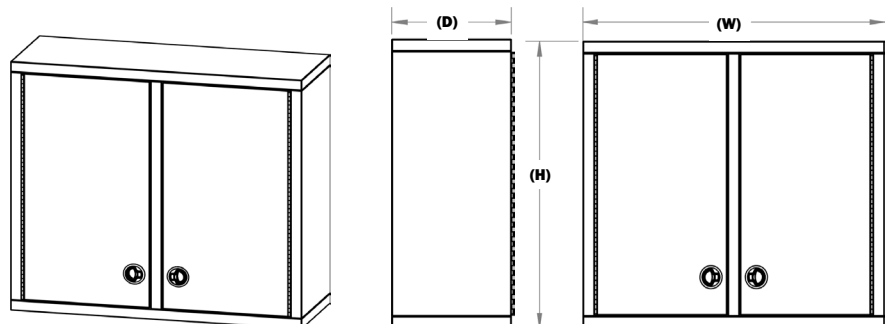


WIDTH(W)	HEIGHT(H)	DEPTH(D)	PART NUMBER	MATERIAL		
12"	30"	12"	SDWC-12-30-12	SS	AL	CRS
14"	30"	12"	SDWC-14-30-12	SS	AL	CRS
16"	30"	12"	SDWC-16-30-12	SS	AL	CRS
18"	30"	12"	SDWC-18-30-12	SS	AL	CRS
20"	30"	12"	SDWC-20-30-12	SS	AL	CRS
22"	30"	12"	SDWC-22-30-12	SS	AL	CRS

\*CUSTOM SIZING AVAILABLE ON REQUEST\*  
\*SEE SECTION X FOR COLOR OPTIONS\*

### DOUBLE DOOR WALL CABINET

- Choice of construction material include aluminum, mild steel or stainless steel.
- Stainless steel hinges
- Black polycarbonate latches (\*stainless steel optional)
- Optional key locking latches
- One or two inner shelves
- Choice of powder coat or conventional paint
- Many color options available
- Optional HPPL laminate



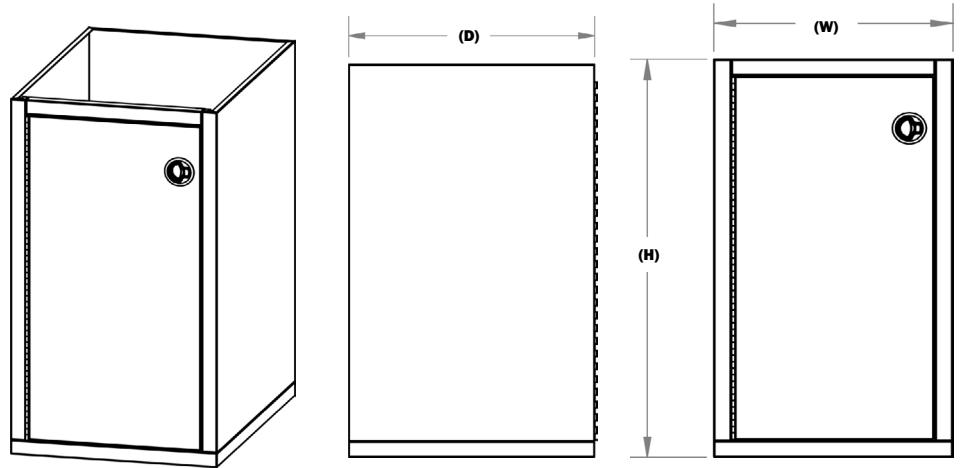
WIDTH(W)	HEIGHT(H)	DEPTH(D)	PART NUMBER	MATERIAL		
24"	30"	12"	DDWC-24-30-12	SS	AL	CRS
26"	30"	12"	DDWC-26-30-12	SS	AL	CRS
28"	30"	12"	DDWC-28-30-12	SS	AL	CRS
30"	30"	12"	DDWC-30-30-12	SS	AL	CRS
32"	30"	12"	DDWC-32-30-12	SS	AL	CRS
34"	30"	12"	DDWC-34-30-12	SS	AL	CRS
36"	30"	12"	DDWC-36-30-12	SS	AL	CRS

\*CUSTOM SIZING AVAILABLE ON REQUEST\*

### SINGLE DOOR BASE CABINET

\* DIMENSION (H) DOES NOT INCLUDE 4" BASE NOT SHOWN

- Choice of construction material include aluminum, mild steel or stainless steel.
- Stainless steel hinges
- Black polycarbonate latches(\*stainless steel optional)
- Optional key locking latches
- One or two inner shelves
- Choice of powder coat or conventional paint
- Many color options available
- Optional HPPL laminate



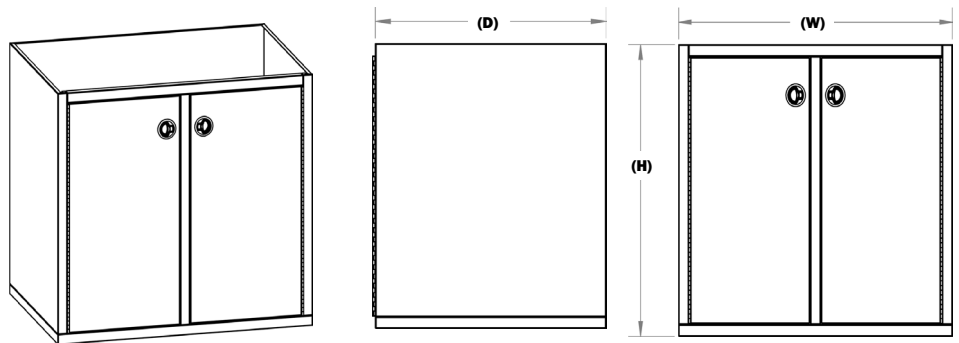
WIDTH(W)	HEIGHT(H)	DEPTH(D)*	PART NUMBER	MATERIAL		
12"	31"	24"	SDBC-12-31-24	SS	AL	CRS
14"	31"	24"	SDBC-14-31-24	SS	AL	CRS
16"	31"	24"	SDBC-16-31-24	SS	AL	CRS
18"	31"	24"	SDBC-18-31-24	SS	AL	CRS
20"	31"	24"	SDBC-20-31-24	SS	AL	CRS
22"	31"	24"	SDBC-22-31-24	SS	AL	CRS

\*CUSTOM SIZING AVAILABLE ON REQUEST\*

### DOUBLE DOOR BASE CABINET

\* DIMENSION (H) DOES NOT INCLUDE 4" BASE NOT SHOWN

- Choice of construction material include aluminum, mild steel or stainless steel.
- Stainless steel hinges
- Black polycarbonate latches(\*stainless steel optional)
- Optional key locking latches
- One or two inner shelves
- Choice of powder coat or conventional paint
- Many color options available
- Optional HPPL laminate



WIDTH(W)	HEIGHT(H)	DEPTH(D)*	PART NUMBER	MATERIAL		
24"	31"	24"	DDBC-24-31-24	SS	AL	CRS
26"	31"	24"	DDBC-26-31-24	SS	AL	CRS
28"	31"	24"	DDBC-28-31-24	SS	AL	CRS
30"	31"	24"	DDBC-30-31-24	SS	AL	CRS
32"	31"	24"	DDBC-32-31-24	SS	AL	CRS
34"	31"	24"	DDBC-34-31-24	SS	AL	CRS
36"	31"	24"	DDBC-36-31-24	SS	AL	CRS

\*CUSTOM SIZING AVAILABLE ON REQUEST\*

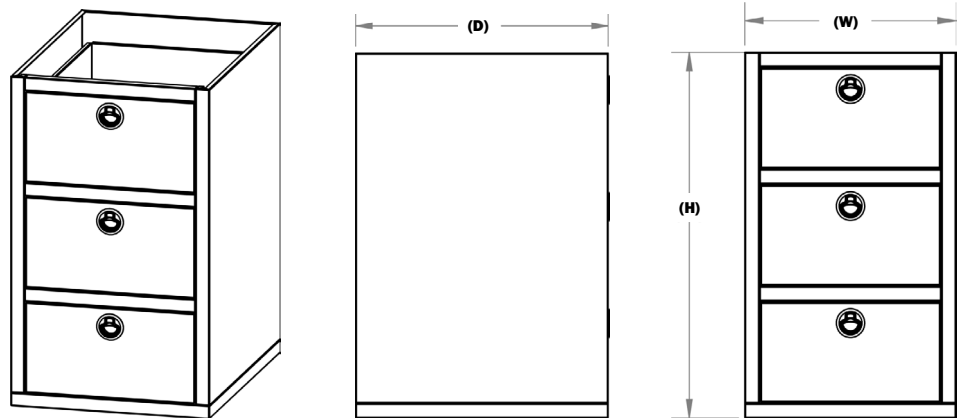


## BASE CABINETS

### DRAWER BASE WALL CABINET

\* DIMENSION (H) DOES NOT INCLUDE 4" BASE NOT SHOWN

- Choice of construction material include aluminum, mild steel or stainless steel.
- Stainless steel hinges
- Black polycarbonate latches (\*stainless steel optional)
- Optional key locking latches
- One or two inner shelves
- Choice of powder coat or conventional paint
- Many color options available
- Optional HPPL laminate



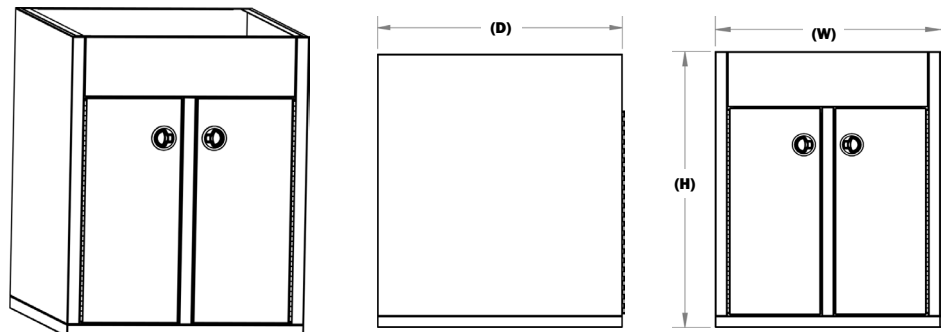
WIDTH(W)	HEIGHT(H)	DEPTH(D)*	PART NUMBER	MATERIAL		
12"	31"	24"	DBC-12-31-24	SS	AL	CRS
14"	31"	24"	DBC-14-31-24	SS	AL	CRS
16"	31"	24"	DBC-16-31-24	SS	AL	CRS
18"	31"	24"	DBC-18-31-24	SS	AL	CRS
20"	31"	24"	DBC-20-31-24	SS	AL	CRS
22"	31"	24"	DBC-22-31-24	SS	AL	CRS

\*CUSTOM SIZING AVAILABLE ON REQUEST\*

### DOUBLE DOOR SINK BASE CABINET

\* DIMENSION (H) DOES NOT INCLUDE 4" BASE NOT SHOWN

- Choice of construction material include aluminum, mild steel or stainless steel.
- Stainless steel hinges
- Black polycarbonate latches (\*stainless steel optional)
- Optional key locking latches
- One or two inner shelves
- Choice of powder coat or conventional paint
- Many color options available
- Optional HPPL laminate

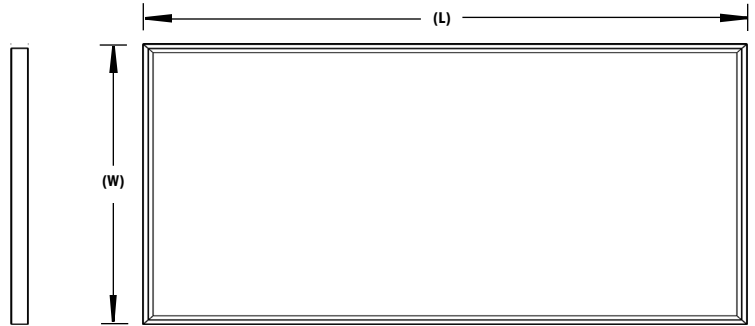


WIDTH(W)	HEIGHT(H)	DEPTH(D)*	PART NUMBER	MATERIAL		
24"	31"	24"	DDSBC-24-31-24	SS	AL	CRS
26"	31"	24"	DDSBC-26-31-24	SS	AL	CRS
28"	31"	24"	DDSBC-28-31-24	SS	AL	CRS
30"	31"	24"	DDSBC-30-31-24	SS	AL	CRS
32"	31"	24"	DDSBC-32-31-24	SS	AL	CRS
34"	31"	24"	DDSBC-34-31-24	SS	AL	CRS
36"	31"	24"	DDSBC-36-31-24	SS	AL	CRS

\*CUSTOM SIZING AVAILABLE ON REQUEST\*

### PLAIN COUNTER WITHOUT BACKSPLASH

- Custom designed to install on QMW galley cabinets
- Choice of construction material include aluminum, mild steel or stainless steel.
- Welded and polished seams
- Spill proof lip
- Optional HPPL laminate

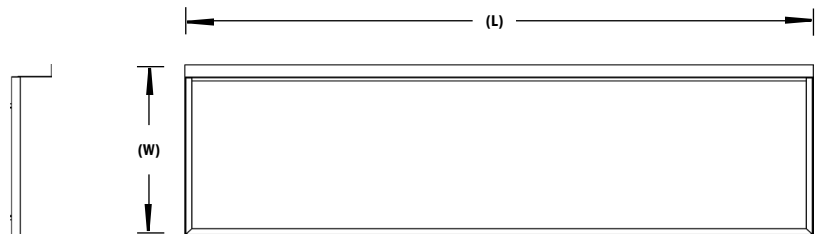


WIDTH(W)	LENGTH(L)	THICK	PART NUMBER	MATERIAL		
24"	48"	2"	PCNB-24-48-2	SS	AL	CRS
24"	54"	2"	PCNB-24-54-2	SS	AL	CRS
24"	60"	2"	PCNB-24-60-2	SS	AL	CRS
24"	66"	2"	PCNB-24-66-2	SS	AL	CRS
24"	72"	2"	PCNB-24-72-2	SS	AL	CRS
24"	78"	2"	PCNB-24-78-2	SS	AL	CRS

\*CUSTOM SIZING AVAILABLE ON REQUEST\*

### PLAIN COUNTER WITH BACKSPLASH

- Custom designed to install on QMW galley cabinets
- Integrated 6" backsplash
- Choice of construction material include aluminum, mild steel or stainless steel.
- Welded and polished seams
- Spill proof lip
- Optional HPPL laminate



WIDTH(W)	LENGTH(L)	THICK	PART NUMBER	MATERIAL		
24"	48"	2"	PCWB-24-48-2	SS	AL	CRS
24"	54"	2"	PCWB-24-54-2	SS	AL	CRS
24"	60"	2"	PCWB-24-60-2	SS	AL	CRS
24"	66"	2"	PCWB-24-66-2	SS	AL	CRS
24"	72"	2"	PCWB-24-72-2	SS	AL	CRS
24"	78"	2"	PCWB-24-78-2	SS	AL	CRS

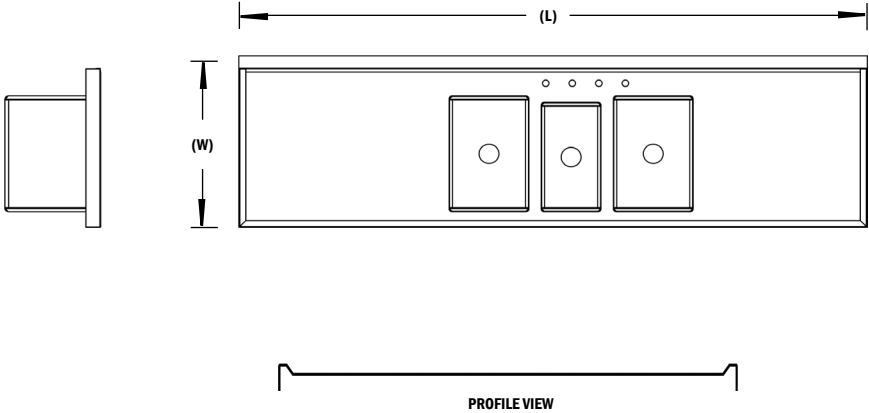
\*CUSTOM SIZING AVAILABLE ON REQUEST\*



## SINK COUNTERS

### SINK COUNTER WITHOUT BACKSPLASH

- Custom designed to install on QMW galley cabinets
- Choice of construction material include aluminum, mild steel or stainless steel.
- Welded and polished seams
- Spill proof lip
- Optional HPPL laminate
- Specify sink quantity, size and location when ordering

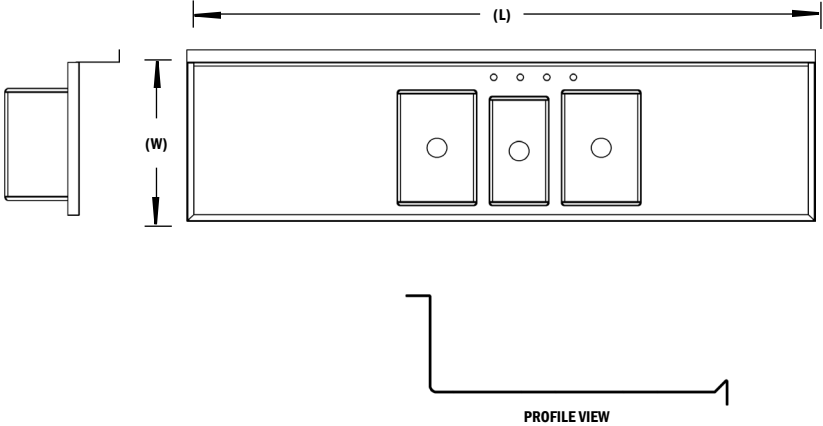


WIDTH(W)	LENGTH(L)	THICK	PART NUMBER	MATERIAL		
24"	48"	2"	SCNB-24-48-2	SS	AL	CRS
24"	54"	2"	SCNB-24-54-2	SS	AL	CRS
24"	60"	2"	SCNB-24-60-2	SS	AL	CRS
24"	66"	2"	SCNB-24-66-2	SS	AL	CRS
24"	72"	2"	SCNB-24-72-2	SS	AL	CRS
24"	78"	2"	SCNB-24-78-2	SS	AL	CRS

\*CUSTOM SIZING AVAILABLE ON REQUEST\*

### SINK COUNTER WITH BACKSPLASH

- Custom designed to install on QMW galley cabinets
- Integrated 6" backsplash
- Choice of construction material include aluminum, mild steel or stainless steel.
- Welded and polished seams
- Spill proof lip
- Optional HPPL laminate
- Specify sink quantity, size and location when ordering



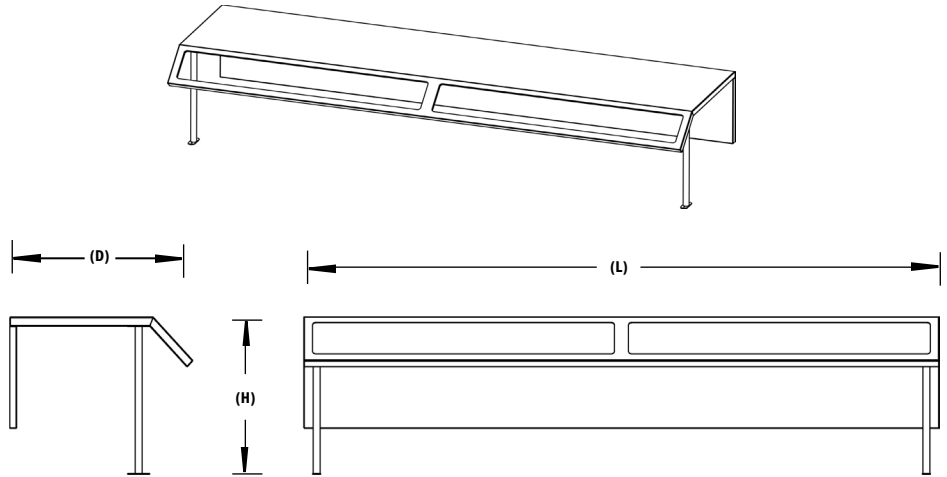
WIDTH(W)	LENGTH(L)	THICK	PART NUMBER	MATERIAL		
24"	48"	2"	SCWB-24-48-2	SS	AL	CRS
24"	54"	2"	SCWB-24-54-2	SS	AL	CRS
24"	60"	2"	SCWB-24-60-2	SS	AL	CRS
24"	66"	2"	SCWB-24-66-2	SS	AL	CRS
24"	72"	2"	SCWB-24-72-2	SS	AL	CRS
24"	78"	2"	PCWB-24-78-2	SS	AL	CRS

\*CUSTOM SIZING AVAILABLE ON REQUEST\*

## SNEEZE SHIELDS

### SINGLE SIDE SNEEZE SHIELD

- Choice of construction material include aluminum, mild steel or stainless steel.
- Shatter resistant glass windows
- Choice of powder coat or conventional paint
- Many color options available
- Optional HPPL laminate
- Designed to install to QMW galley cabinets

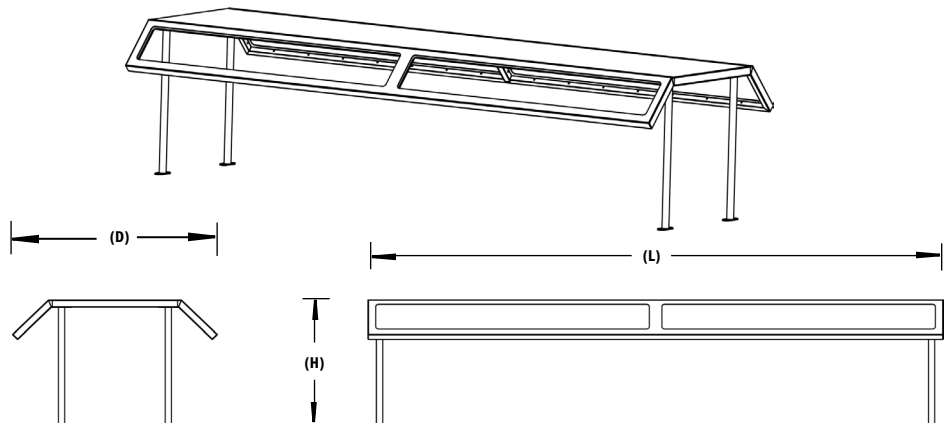


DEPTH(D)	LENGTH(L)	HEIGHT(H)	PART NUMBER	MATERIAL		
24"	72"	20"	SSS-24-24-30	SS	AL	CRS
24"	78"	20"	SSS-24-36-30	SS	AL	CRS
24"	84"	20"	SSS-24-48-30	SS	AL	CRS
24"	90"	20"	SSS-36-24-30	SS	AL	CRS
24"	96"	20"	SSS-36-36-30	SS	AL	CRS

\*CUSTOM SIZING AVAILABLE ON REQUEST\*

### DOUBLE SIDE SNEEZE SHIELD

- Choice of construction material include aluminum, mild steel or stainless steel.
- Shatter resistant glass windows
- Choice of powder coat or conventional paint
- Many color options available
- Optional HPPL laminate
- Designed to install to QMW galley cabinets



DEPTH(D)	LENGTH(L)	HEIGHT(H)	PART NUMBER	MATERIAL		
32"	72"	20"	DSS-32-24-30	SS	AL	CRS
32"	78"	20"	DSS-32-36-30	SS	AL	CRS
32"	84"	20"	DSS-32-48-30	SS	AL	CRS
32"	90"	20"	DSS-32-24-30	SS	AL	CRS
32"	96"	20"	DSS-32-36-30	SS	AL	CRS

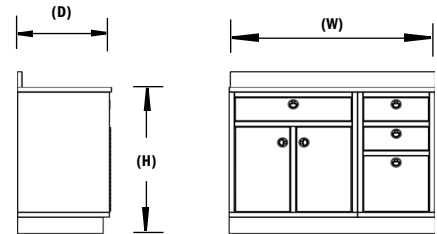
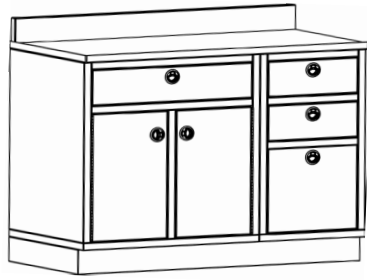
\*CUSTOM SIZING AVAILABLE ON REQUEST\*



## SERVICE DRESSERS

### SINGLE SERVING DRESSER

- Choice of construction material include aluminum, mild steel or stainless steel.
- Top and base included
- Choice of powder coat or conventional paint
- Many color options available
- Optional HPPL laminate

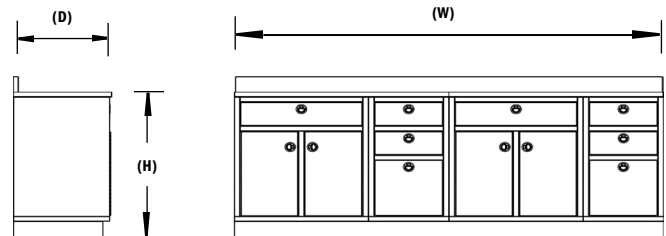
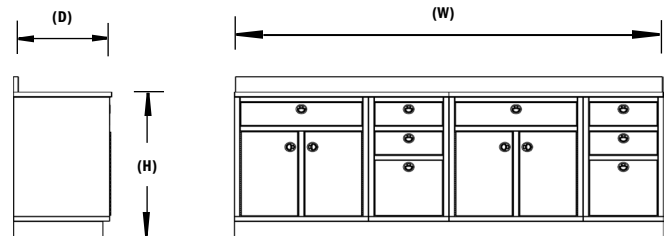


WIDTH(W)	HEIGHT(H)	DEPTH(D)	PART NUMBER	MATERIAL		
36"	38"	22"	SSD-36-38-22	SS	AL	CRS
42"	38"	22"	SSD-42-38-22	SS	AL	CRS
48"	38"	22"	SSD-48-38-22	SS	AL	CRS
54"	38"	22"	SSD-54-38-22	SS	AL	CRS
60"	38"	22"	SSD-60-38-22	SS	AL	CRS

\*CUSTOM SIZING AVAILABLE ON REQUEST\*

### DOUBLE SERVING DRESSER

- Choice of construction material include aluminum, mild steel or stainless steel.
- Top and base included
- Choice of powder coat or conventional paint
- Many color options available
- Optional HPPL laminate

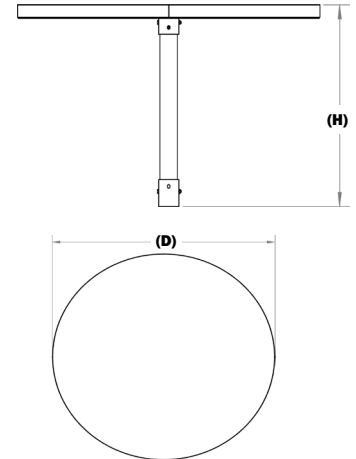
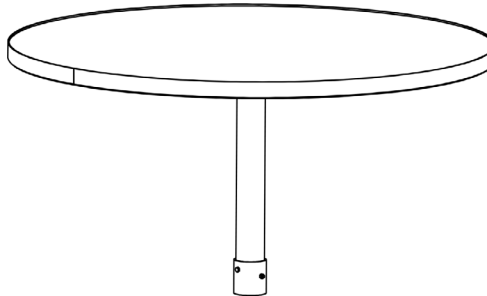


WIDTH(W)	HEIGHT(H)	DEPTH(D)	PART NUMBER	MATERIAL		
72"	38"	22"	DSD-36-38-22	SS	AL	CRS
84"	38"	22"	DSD-42-38-22	SS	AL	CRS
96"	38"	22"	DSD-48-38-22	SS	AL	CRS
108"	38"	22"	DSD-54-38-22	SS	AL	CRS
120"	38"	22"	DSD-60-38-22	SS	AL	CRS

\*CUSTOM SIZING AVAILABLE ON REQUEST\*

### ROUND PEDESTAL TABLES

- Choice of construction material include aluminum, mild steel or stainless steel.
- Anti-slip sea rail
- Choice of powder coat or conventional paint
- Many color options available
- Optional HPPL laminate
- Weld to deck style floor flange (specify deck material when ordering)
- Optional Bolt down style floor flange

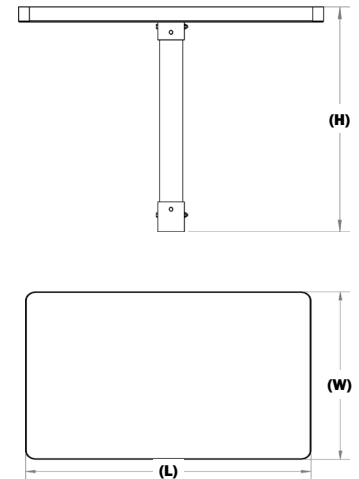
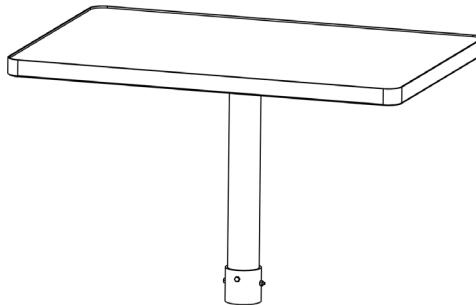


DIAMETER(D)	HEIGHT(H)	PART NUMBER	MATERIAL		
24"	30"	RPT-24-30	SS	AL	CRS
36"	30"	RPT-36-30	SS	AL	CRS
48"	30"	RPT-48-30	SS	AL	CRS
24"	42"	RPT-24-42	SS	AL	CRS
36"	42"	RPT-36-42	SS	AL	CRS
48"	42"	RPT-48-42	SS	AL	CRS

\*CUSTOM SIZING AVAILABLE ON REQUEST\*

### RECTANGULAR PEDESTAL TABLES

- Choice of construction material include aluminum, mild steel or stainless steel.
- Anti-slip sea rail
- Choice of powder coat or conventional paint
- Many color options available
- Optional HPPL laminate
- Weld to deck style floor flange (specify deck material when ordering)
- Optional Bolt down style floor flange



WIDTH(W)	LENGTH(L)	HEIGHT(H)	PART NUMBER	MATERIAL		
24"	24"	30"	SPT-24-24-30	SS	AL	CRS
24"	36"	30"	SPT-24-36-30	SS	AL	CRS
24"	48"	30"	SPT-24-48-30	SS	AL	CRS
36"	24"	30"	SPT-36-24-30	SS	AL	CRS
36"	36"	30"	SPT-36-36-30	SS	AL	CRS
36"	48"	30"	SPT-36-48-30	SS	AL	CRS

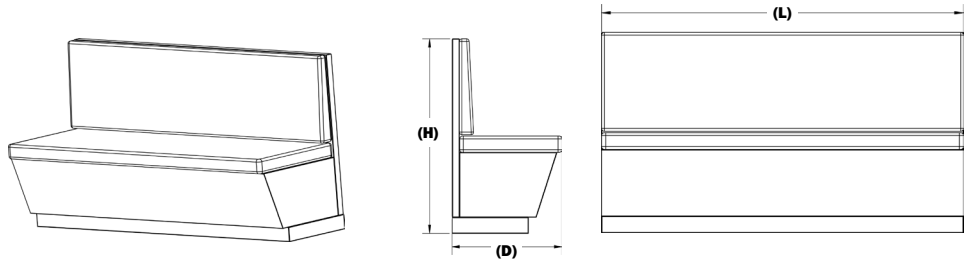
\*CUSTOM SIZING AVAILABLE ON REQUEST\*



## SETTEE SEATING

### STRAIGHT WALL MOUNT BENCH SEAT

- Choice of construction material include aluminum, mild steel or stainless steel.
- Vinyl upholstery covered foam filled seat cushions
- Choice of powder coat or conventional paint
- Many color options available
- Optional HPPL laminate
- Optional removable seat pan for additional gear storage

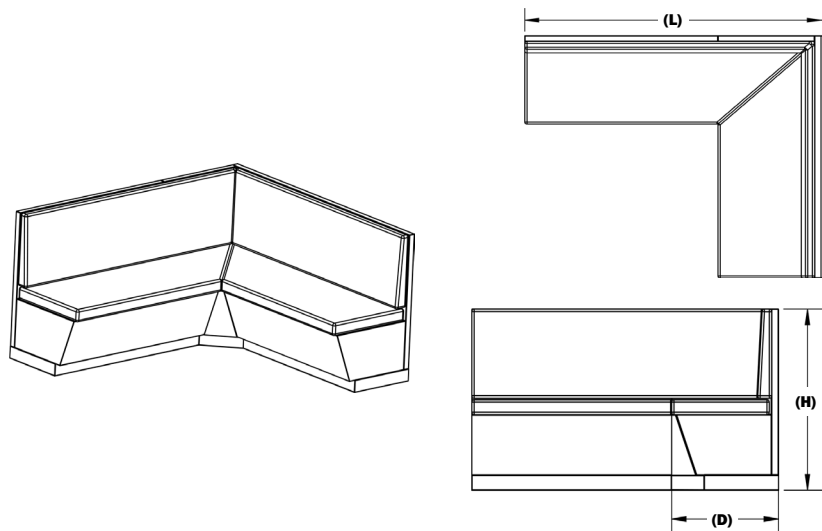


WIDTH(W)	HEIGHT(H)	DEPTH(D)	PART NUMBER	MATERIAL		
36"	36"	23"	SWBS-36-36-23	SS	AL	CRS
42"	36"	23"	SWBS-42-36-23	SS	AL	CRS
48"	36"	23"	SWBS-42-36-23	SS	AL	CRS
54"	36"	23"	SWBS-42-36-23	SS	AL	CRS
60"	36"	23"	SWBS-42-36-23	SS	AL	CRS

\*CUSTOM SIZING AVAILABLE ON REQUEST\*

### CORNER WALL MOUNT BENCH SEAT

- Choice of construction material include aluminum, mild steel or stainless steel.
- Vinyl upholstery covered foam filled seat cushions
- Choice of powder coat or conventional paint
- Many color options available
- Optional HPPL laminate
- Optional removable seat pan for additional gear storage

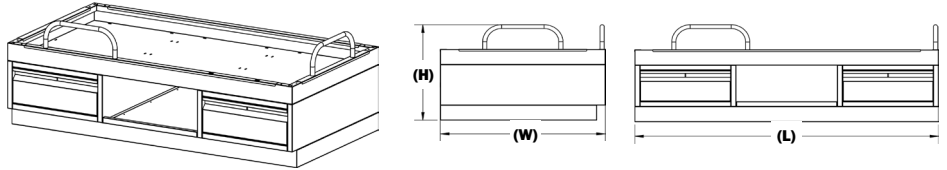


WIDTH(W)	HEIGHT(H)	DEPTH(D)	PART NUMBER	MATERIAL		
36"	36"	23"	CWBS-36-36-23	SS	AL	CRS
42"	36"	23"	CWBS-42-36-23	SS	AL	CRS
48"	36"	23"	CWBS-42-36-23	SS	AL	CRS
54"	36"	23"	CWBS-42-36-23	SS	AL	CRS
60"	36"	23"	CWBS-42-36-23	SS	AL	CRS

\*CUSTOM SIZING AVAILABLE ON REQUEST\*

### DELUXE SINGLE BERTH

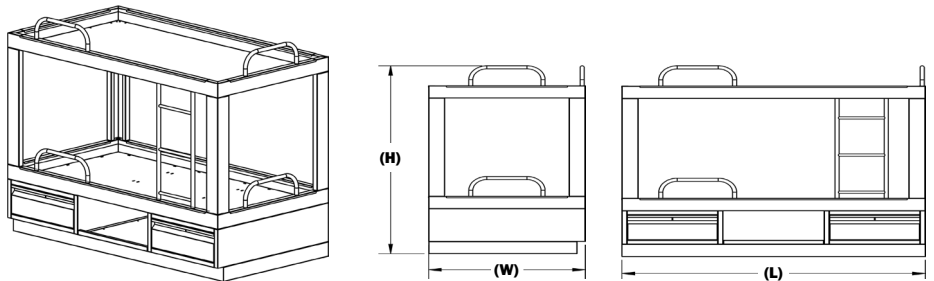
- Choice of construction material include aluminum or mild steel
- Stainless steel sea rails
- Pad lockable personal storage drawers
- Choice of powder coat or conventional paint
- Many color options available
- Optional HPPL laminate



WIDTH(W)	LENGTH(L)	HEIGHT(H)	PART NUMBER	MATERIAL	
39"	74"	26"	DSB-39-74-26	AL	CRS
41"	74"	26"	DSB-41-74-26	AL	CRS
39"	76"	26"	DSB-39-76-26	AL	CRS
41"	76"	26"	DSB-41-76-26	AL	CRS
*CUSTOM SIZING AVAILABLE ON REQUEST*					

### DELUXE DOUBLE BERTH

- Choice of construction material include aluminum or mild steel
- Stainless steel ladder and sea rails
- Pad lockable personal storage drawers
- Choice of powder coat or conventional paint
- Many color options available
- Optional HPPL laminate

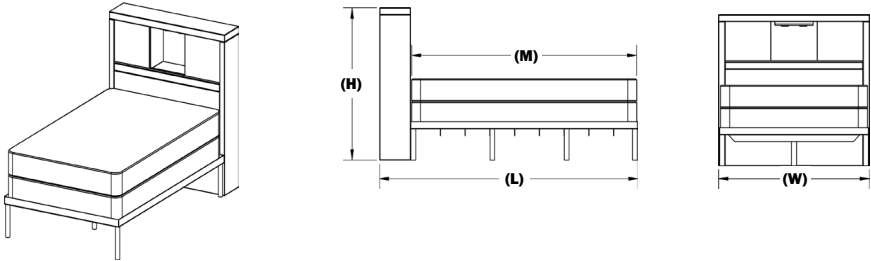


WIDTH(W)	LENGTH(L)	HEIGHT(H)	PART NUMBER	MATERIAL	
39"	74"	61"	DDB-39-74-61	AL	CRS
41"	74"	61"	DDB-41-74-61	AL	CRS
39"	76"	61"	DDB-39-76-61	AL	CRS
41"	76"	61"	DDB-41-76-61	AL	CRS
*CUSTOM SIZING AVAILABLE ON REQUEST*					

**FREE STANDING BEDS**

**STATEROOM SINGLE FREE STANDING BED**

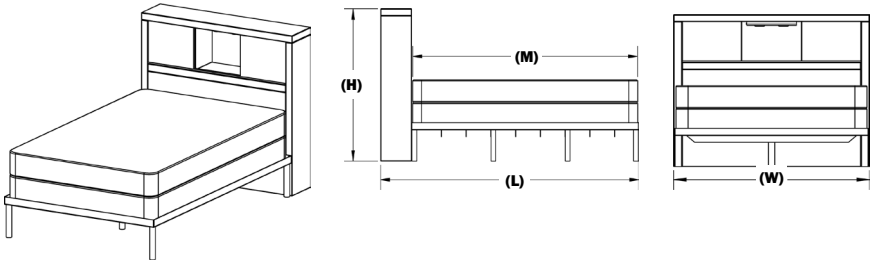
- Choice of construction material include aluminum or mild steel
- Personal storage with dual sliding doors
- Built-in halogen reading lamp
- Choice of powder coat or conventional paint
- Many color options available
- Optional HPPL laminate



WIDTH(W)	LENGTH(L)	HEIGHT(H)	MATRESS LENGTH(M)	PART NUMBER	MATERIAL	
37"	88.5"	45"	77	SSFB-37-88-45	AL	CRS
*CUSTOM SIZING AVAILABLE ON REQUEST*						

**STATEROOM DOUBLE FREE STANDING BED**

- Choice of construction material include aluminum or mild steel
- Personal storage with dual sliding doors
- Built-in halogen reading lamp
- Choice of powder coat or conventional paint
- Many color options available
- Optional HPPL laminate

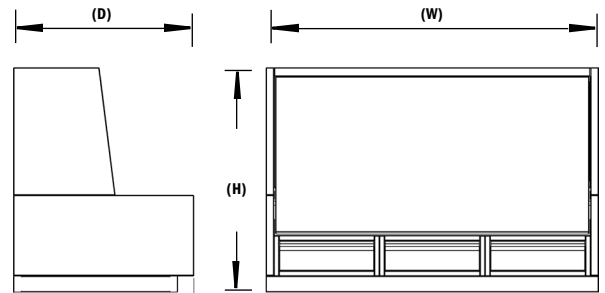
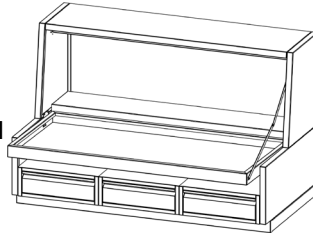


WIDTH(W)	LENGTH(L)	HEIGHT(H)	MATRESS LENGTH(M)	PART NUMBER	MATERIAL	
49"	88.5"	45"	77	SDFB-49-88-45	AL	CRS
*CUSTOM SIZING AVAILABLE ON REQUEST*						

## TRANSOM BERTH

### DELUXE TRANSOM COMBINATION BERTH

- Choice of construction material include aluminum or mild steel
- Folds from settee down to berth
- Three personal storage drawers
- Choice of powder coat or conventional paint
- Many color options available
- Optional HPPL laminate
- Modular design to allow passage through narrow doorways at installation

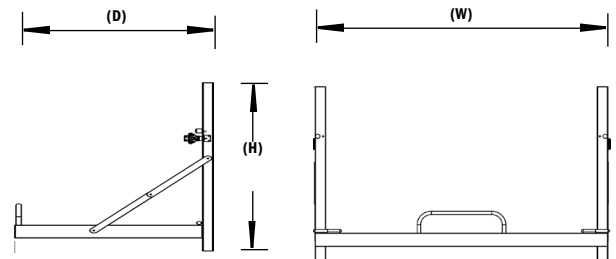
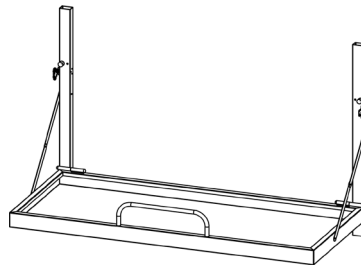


WIDTH(W)	DEEP(D)	HEIGHT(H)	PART NUMBER	MATERIAL	
79"	45"	56"	DTCB-79-45-56	AL	CRS
83"	45"	56"	DTCB-83-45-56	AL	CRS
*CUSTOM SIZING AVAILABLE ON REQUEST*					

## PULLMAN BERTH

### DELUXE PULLMAN BERTH

- Choice of construction material include aluminum or mild steel
- Stainless steel sea rails
- Choice of powder coat or conventional paint
- Many color options available
- Optional HPPL laminate



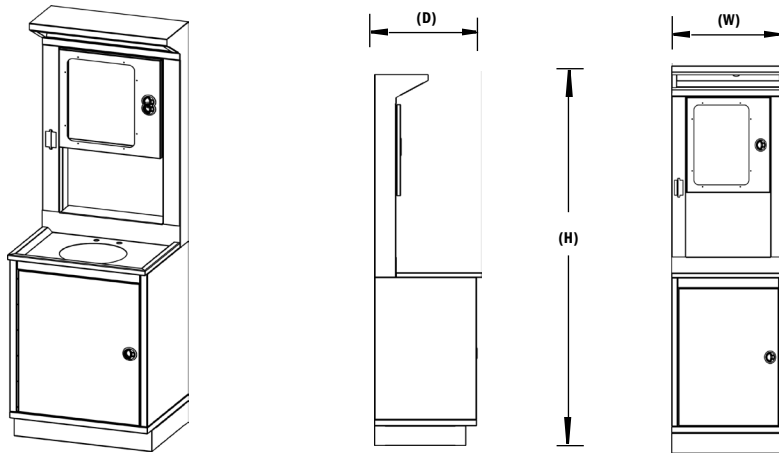
WIDTH(W)	DEEP(D)	HEIGHT(H)	PART NUMBER	MATERIAL	
78"	32"	48"	DPB-78-32-48	AL	CRS
80"	32"	48"	DPB-80-32-48	AL	CRS
82"	32"	48"	DPB-82-32-48	AL	CRS
*CUSTOM SIZING AVAILABLE ON REQUEST*					



## CORNER LAVATORY

### DELUXE WALL LAVATORY UNIT

- Choice of construction material include aluminum or mild steel
- Stainless steel counter top
- Personal storage with shelving
- Built-in halogen lamp
- Choice of powder coat or conventional paint
- Many color options available
- Optional HPPL laminate
- Optional multi bowl configuration



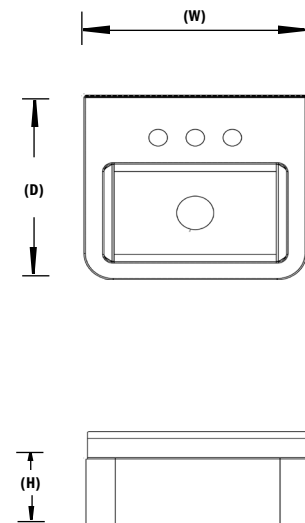
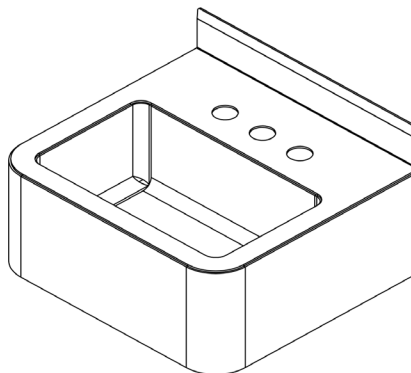
WIDTH(W)	DEEP(D)	HEIGHT(H)	PART NUMBER	MATERIAL	
22"	20"	75"	DWLU-22-20-75	AL	CRS
24"	20"	75"	DWLU-24-20-75	AL	CRS
26"	20"	75"	DWLU-26-20-75	AL	CRS

\*CUSTOM SIZING AVAILABLE ON REQUEST\*

## WALL SINK

### DELUXE WALL SINK

- Choice of construction material include aluminum, stainless steel or mild steel
- Built-in halogen reading lamp
- Choice of powder coat or conventional paint

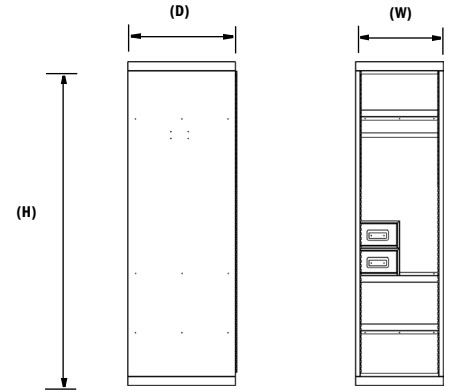
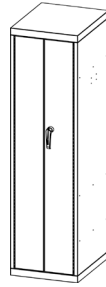


WIDTH(W)	DEEP(D)	HEIGHT(H)	PART NUMBER	MATERIAL	
12"	11"	5"	DWS-12-11-5	AL	CRS
14"	13"	5"	DWS-14-13-5	AL	CRS
16"	15"	5"	DWS-16-15-5	AL	CRS

\*CUSTOM SIZING AVAILABLE ON REQUEST\*

### DELUXE DOUBLE LOCKER

- Choice of construction material include aluminum or mild steel
- Internal personal item storage
- Pad lockable doors
- Choice of powder coat or conventional paint
- Many color options available

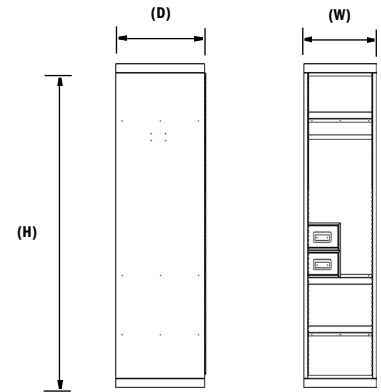
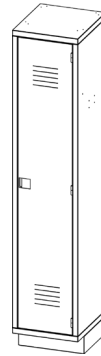


DOOR REMOVED FOR CLARITY

WIDTH(W)	DEPTH(D)	HEIGHT(H)	PART NUMBER	MATERIAL	
16"	20"	66"	DDL-16-20-66	AL	CRS
20"	20"	66"	DDL-20-20-66	AL	CRS
24"	20"	66"	DDL-24-20-66	AL	CRS
*CUSTOM SIZING AVAILABLE ON REQUEST*					

### DELUXE SINGLE LOCKER

- Choice of construction material include aluminum or mild steel
- Internal personal item storage
- Pad lockable doors
- Choice of powder coat or conventional paint
- Many color options available



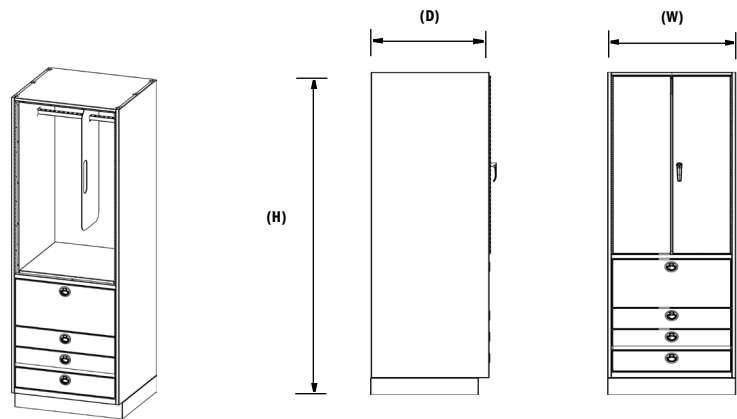
DOOR REMOVED FOR CLARITY

WIDTH(W)	DEPTH(D)	HEIGHT(H)	PART NUMBER	MATERIAL	
12"	20"	66"	DSL-12-20-66	AL	CRS
16"	20"	66"	DSL-16-20-66	AL	CRS
20"	20"	66"	DSL-20-20-66	AL	CRS
*CUSTOM SIZING AVAILABLE ON REQUEST*					

## WARD ROBE LOCKERS

### TRIPLE DRAWER WARD ROBE

- Choice of construction material include aluminum or mild steel
- Three ball bearing guide drawers
- Pad lockable doors
- Internal clothing compressor
- Choice of powder coat or conventional paint
- Many color options available

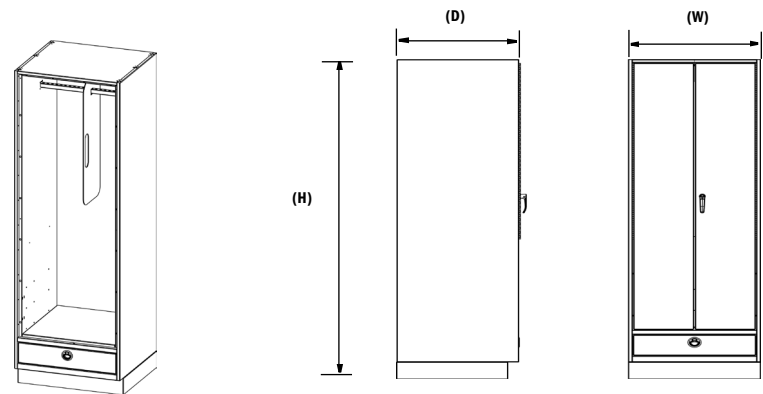


DOOR REMOVED FOR CLARITY

WIDTH(W)	DEPTH(D)	HEIGHT(H)	PART NUMBER	MATERIAL	
20"	22"	76"	TDWL-20-22-76	AL	CRS
22"	22"	76"	TDWL-22-22-76	AL	CRS
24"	22"	76"	TDWL-24-22-76	AL	CRS
*CUSTOM SIZING AVAILABLE ON REQUEST*					

### SINGLE DRAWER WARD ROBE

- Choice of construction material include aluminum or mild steel
- Single ball bearing guide drawer
- Pad lockable doors
- Internal clothing compressor
- Choice of powder coat or conventional paint
- Many color options available



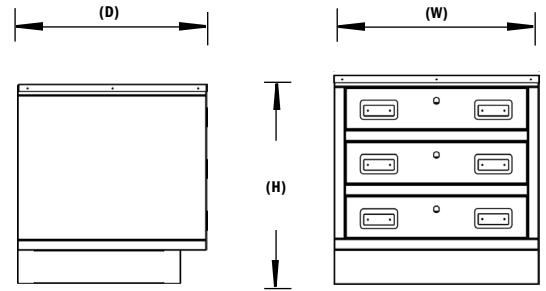
DOOR REMOVED FOR CLARITY

WIDTH(W)	DEPTH(D)	HEIGHT(H)	PART NUMBER	MATERIAL	
20"	22"	76"	SDWL-20-22-76	AL	CRS
22"	22"	76"	SDWL-22-22-76	AL	CRS
24"	22"	76"	SDWL-24-22-76	AL	CRS
*CUSTOM SIZING AVAILABLE ON REQUEST*					

## CHEST OF DRAWERS

### DELUXE CHEST OF DRAWERS

- Choice of construction material include aluminum or mild steel
- Durable key locking drawers
- Choice of powder coat or conventional paint
- Many color options available

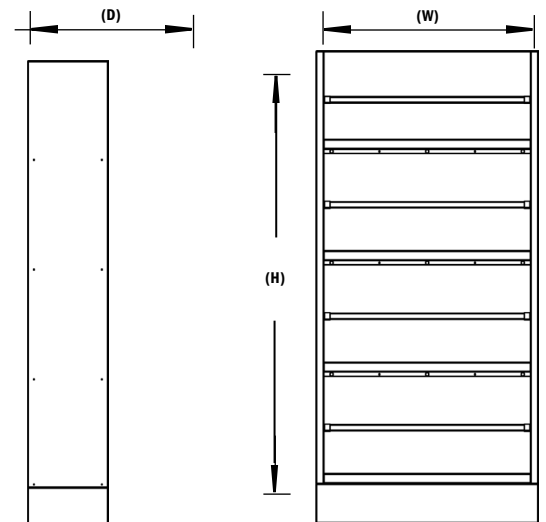
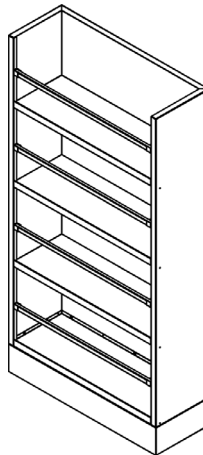


WIDTH(W)	DEPTH(D)	HEIGHT(H)	PART NUMBER	MATERIAL	
28"	32"	36"	DCD-28-32-36	AL	CRS
32"	32"	36"	DCD-32-32-36	AL	CRS
36"	32"	36"	DCD-36-32-36	AL	CRS
*CUSTOM SIZING AVAILABLE ON REQUEST*					

## BOOK RACKS

### STANDARD WALL BOOK RACK

- Choice of construction material include aluminum or mild steel
- Strong locking divider
- Choice of powder coat or conventional paint
- Many color options available
- Optional HPPL laminate



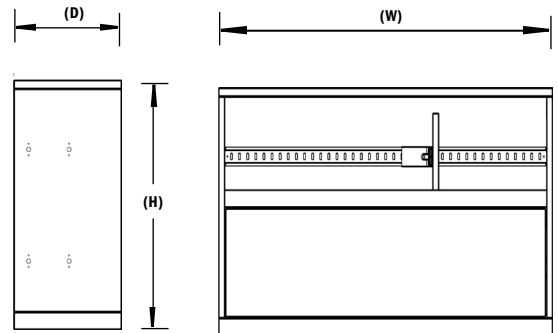
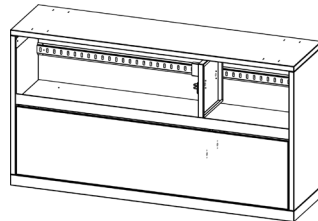
WIDTH(W)	DEPTH(D)	HEIGHT(H)	PART NUMBER	MATERIAL	
30"	14"	72"	SWBR-30-14-72	AL	CRS
36"	14"	72"	SWBR-36-14-72	AL	CRS
42"	14"	72"	SWBR-42-14-72	AL	CRS
*CUSTOM SIZING AVAILABLE ON REQUEST*					



## BOOK RACKS

### DOUBLE TIER BOOK RACK W/DOORS

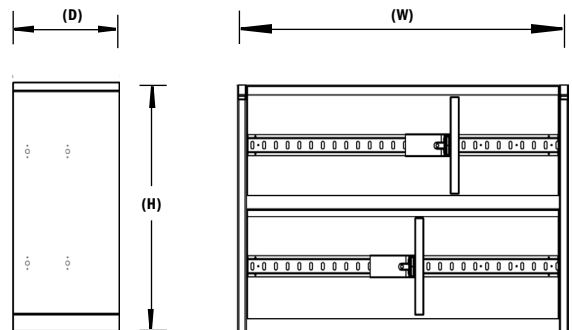
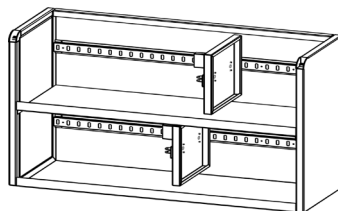
- Choice of construction material include aluminum or mild steel
- Strong locking divider
- Choice of powder coat or conventional paint
- Many color options available
- Optional HPPL laminate



WIDTH(W)	DEPTH(D)	HEIGHT(H)	PART NUMBER	MATERIAL	
30"	14"	36"	DTBD-30-14-36	AL	CRS
36"	14"	36"	DTBD-36-14-36	AL	CRS
42"	14"	36"	DTBD-42-14-36	AL	CRS
*CUSTOM SIZING AVAILABLE ON REQUEST*					

### DOUBLE TIER BOOK RACK

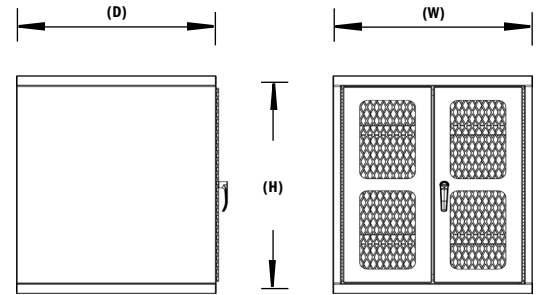
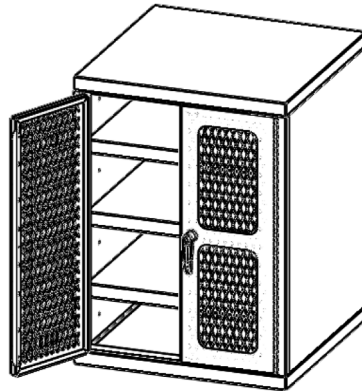
- Choice of construction material include aluminum or mild steel
- Strong locking divider
- Choice of powder coat or conventional paint
- Many color options available
- Optional HPPL laminate



WIDTH(W)	DEPTH(D)	HEIGHT(H)	PART NUMBER	MATERIAL	
30"	14"	36"	DTBR-30-14-36	AL	CRS
36"	14"	36"	DTBR-36-14-36	AL	CRS
42"	14"	36"	DTBR-42-14-36	AL	CRS
*CUSTOM SIZING AVAILABLE ON REQUEST*					

### SHORT CLEAR VIEW CABINET

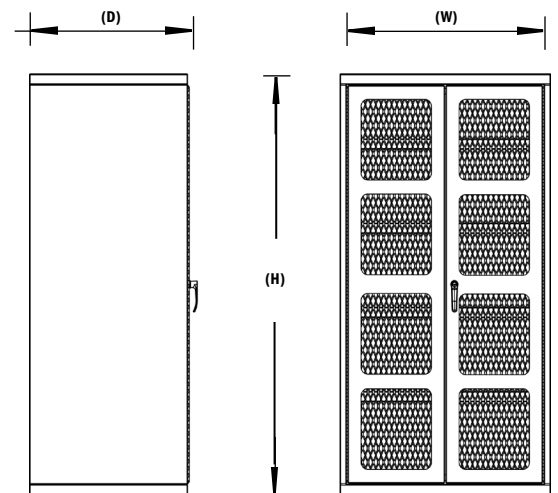
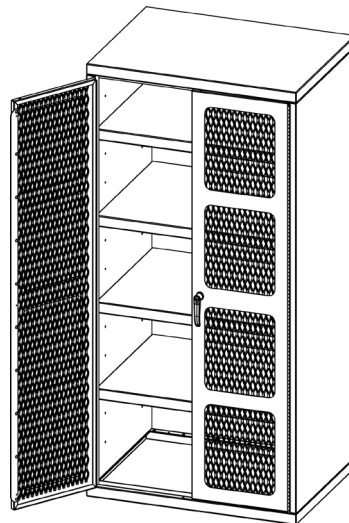
- Strong mesh door grill to allow ease of inventory
- Choice of construction material include aluminum or mild steel
- Stainless steel sea rails
- Pad lockable double doors
- Choice of powder coat or conventional paint
- Many color options available



WIDTH(W)	DEPTH(D)	HEIGHT(H)	PART NUMBER	MATERIAL	
24"	24"	32"	SCV-24-24-32	AL	CRS
30"	24"	32"	SCV-30-24-32	AL	CRS
36"	24"	32"	SCV-36-24-32	AL	CRS
42"	24"	32"	SCV-42-24-32	AL	CRS
*CUSTOM SIZING AVAILABLE ON REQUEST*					

### TALL CLEAR VIEW CABINET

- Strong mesh door grill to allow ease of inventory
- Choice of construction material include aluminum or mild steel
- Stainless steel sea rails
- Pad lockable double doors
- Choice of powder coat or conventional paint
- Many color options available

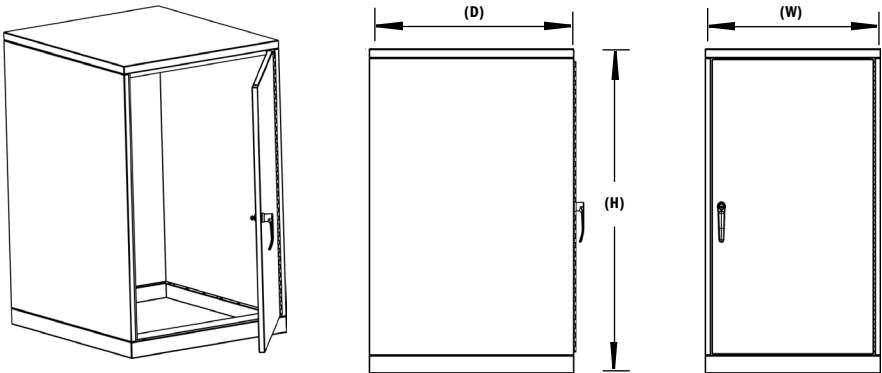


WIDTH(W)	DEPTH(D)	HEIGHT(H)	PART NUMBER	MATERIAL	
24"	32"	60"	TCV-24-32-60	AL	CRS
30"	32"	60"	TCV-30-32-60	AL	CRS
36"	32"	60"	TCV-36-32-60	AL	CRS
42"	32"	60"	TCV-42-32-60	AL	CRS
*CUSTOM SIZING AVAILABLE ON REQUEST*					

## MEDICAL LOCKERS

### SINGLE DOOR MEDICAL LOCKER

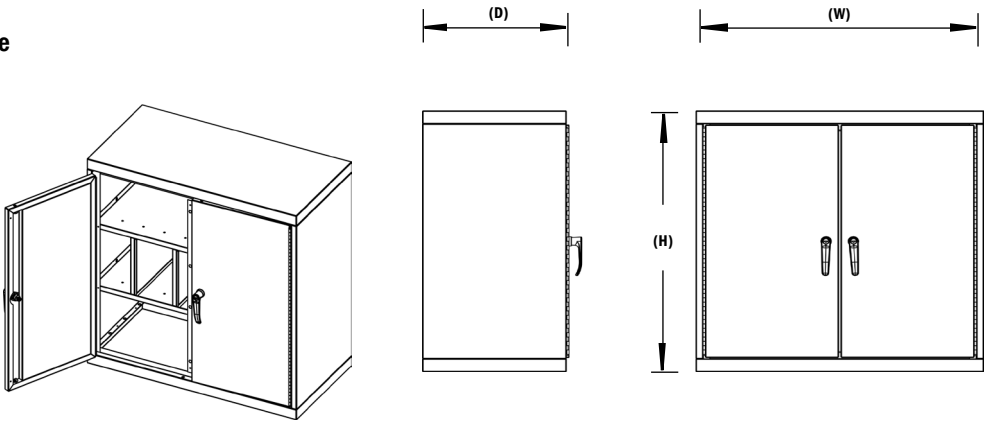
- Choice of construction material include aluminum or mild steel
- Strong locking handle for security
- Choice of powder coat or conventional paint
- Many color options available
- Optional HPPL laminate



WIDTH(W)	DEPTH(D)	HEIGHT(H)	PART NUMBER	MATERIAL	
20"	28"	36"	SDML-20-28-36	AL	CRS
24"	28"	36"	SDML-24-28-36	AL	CRS
30"	28"	36"	SDML-30-28-36	AL	CRS
*CUSTOM SIZING AVAILABLE ON REQUEST*					

### DOUBLE DOOR MEDICAL LOCKER

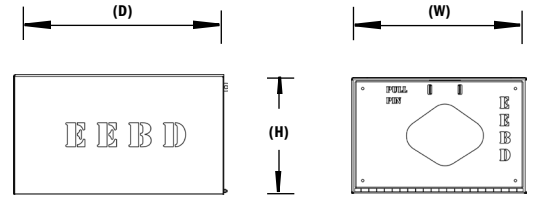
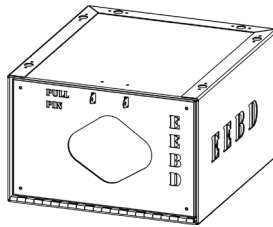
- Choice of construction material include aluminum or mild steel
- Strong locking handle for security
- Three shelves with adjustable dividers
- Choice of powder coat or conventional paint
- Many color options available
- Optional HPPL laminate



WIDTH(W)	DEPTH(D)	HEIGHT(H)	PART NUMBER	MATERIAL	
24"	15"	30"	DDML-24-15-30	AL	CRS
30"	15"	30"	DDML-30-15-30	AL	CRS
36"	15"	30"	DDML-36-15-30	AL	CRS
*CUSTOM SIZING AVAILABLE ON REQUEST*					

### EMERGENCY EXIT BREATHING DEVICE

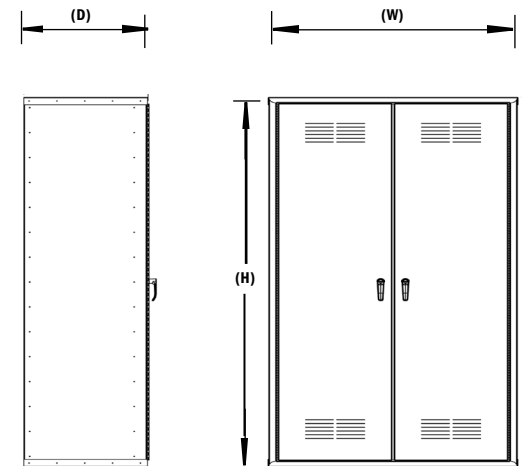
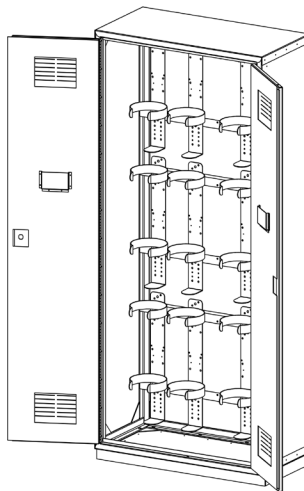
- Choice of construction material include aluminum or mild steel
- Choice of powder coat or conventional paint
- Many color options available



WIDTH(W)	DEPTH(D)	HEIGHT(H)	PART NUMBER	MATERIAL	
12"	12"	8"	EEBD-12-12-8	AL	CRS
*CUSTOM SIZING AVAILABLE ON REQUEST*					

### SCBA TANK LOCKER STYLE A

- Choice of construction material include aluminum or mild steel
- Key lockable double doors
- Choice of powder coat or conventional paint
- Many color options available



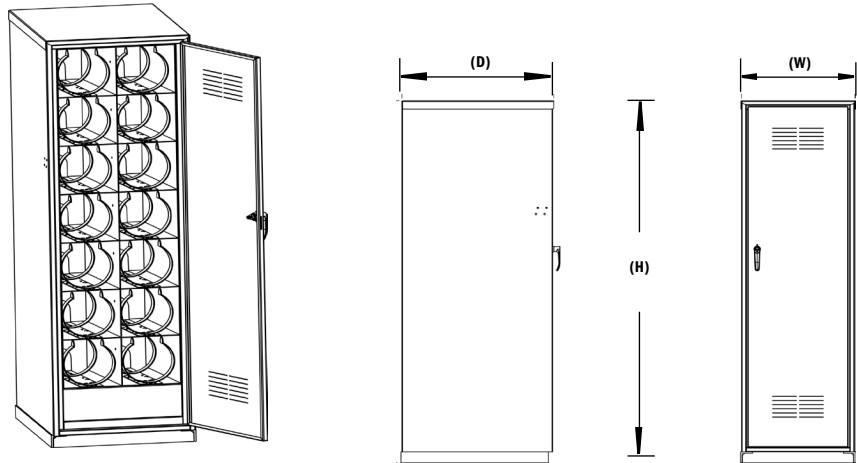
WIDTH(W)	DEPTH(D)	HEIGHT(H)	PART NUMBER	MATERIAL	
36"	18"	76"	STA-36-18-76	AL	CRS
*CUSTOM SIZING AVAILABLE ON REQUEST*					



## SAFETY ENCLOSURES

### SCBA TANK LOCKER STYLE B 2X

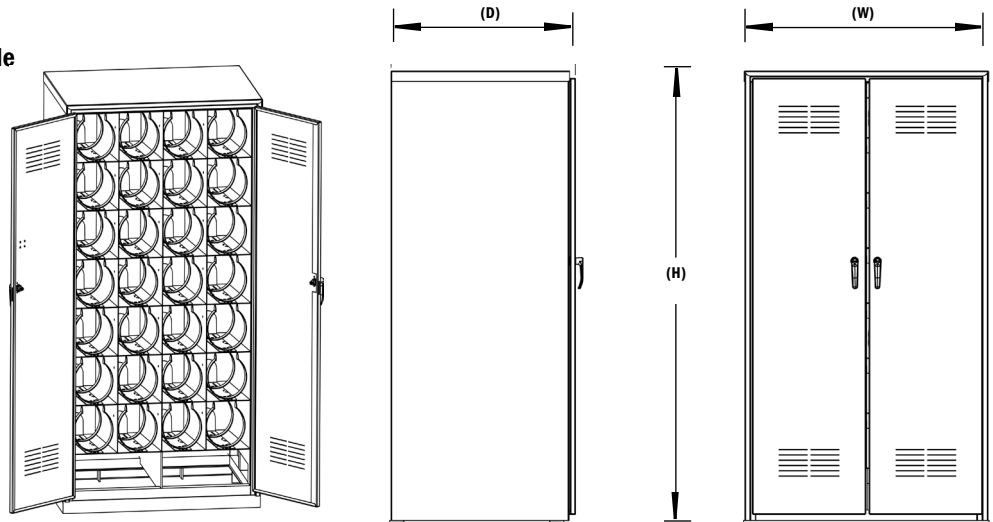
- Choice of construction material include aluminum or mild steel
- Key lockable double doors
- Choice of powder coat or conventional paint
- Many color options available



WIDTH(W)	DEPTH(D)	HEIGHT(H)	PART NUMBER	MATERIAL	
19"	25"	66"	STB2-19-25-66	AL	CRS
*CUSTOM SIZING AVAILABLE ON REQUEST*					

### SCBA TANK LOCKER STYLE B 4X

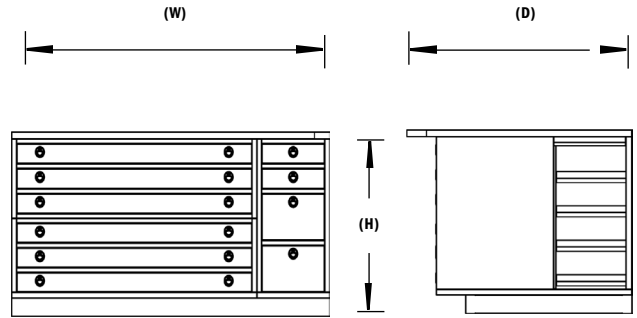
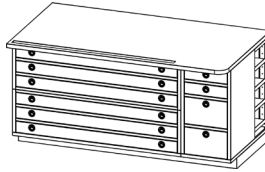
- Choice of construction material include aluminum or mild steel
- Key lockable double doors
- Choice of powder coat or conventional paint
- Many color options available



WIDTH(W)	DEPTH(D)	HEIGHT(H)	PART NUMBER	MATERIAL	
35"	25"	66"	STB4-35-25-66	AL	CRS
*CUSTOM SIZING AVAILABLE ON REQUEST*					

### DELUXE MODULAR CHART TABLE

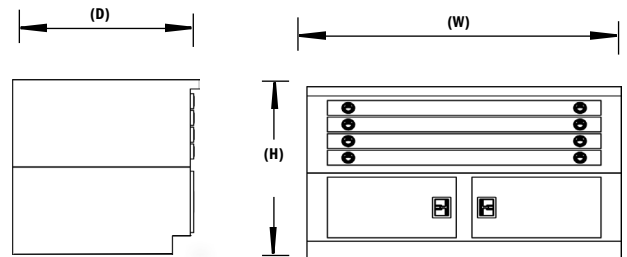
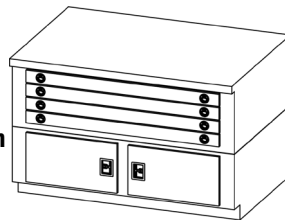
- Six drawers of chart storage
- Four drawers of basic storage
- Side book shelf
- Choice of construction material include aluminum or mild steel
- Choice of powder coat or conventional paint
- Many color options available
- Modular design to allow passage through narrow doorways at installation



WIDTH(W)	DEPTH(D)	HEIGHT(H)	PART NUMBER	MATERIAL	
80"	40"	44"	DMCT-80-40-44	AL	CRS
84"	40"	44"	DMCT-84-40-44	AL	CRS
88"	40"	44"	DMCT-88-40-44	AL	CRS
*CUSTOM SIZING AVAILABLE ON REQUEST*					

### NOAA CHART TABLE DOUBLE

- Four drawers of chart storage
- Choice of construction material include aluminum or mild steel
- Choice of powder coat or conventional paint
- Many color options available
- Modular design to allow passage through narrow doorways at installation

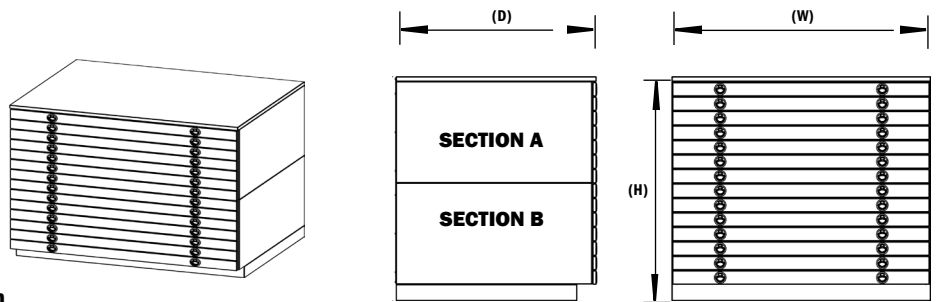


WIDTH(W)	DEPTH(D)	HEIGHT(H)	PART NUMBER	MATERIAL	
54"	42"	38"	NCTD-54-42-38	AL	CRS
60"	42"	38"	NCTD-60-42-38	AL	CRS
66"	42"	38"	NCTD-66-42-38	AL	CRS
*CUSTOM SIZING AVAILABLE ON REQUEST*					

## CHART TABLES

### MODULAR CHART TABLE SINGLE

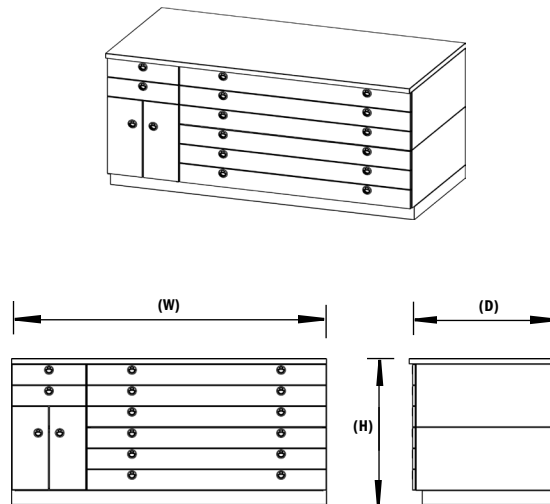
- Fourteen drawers of chart storage
- Choice of construction material include aluminum or mild steel
- Choice of powder coat or conventional paint
- Many color options available
- Optional HPPL laminate
- Modular design to allow passage through narrow doorways at installation



WIDTH(W)	DEPTH(D)	HEIGHT(H)	PART NUMBER	MATERIAL	
42"	42"	47"	MCTS-42-42-47	AL	CRS
48"	42"	47"	MCTS-48-42-47	AL	CRS
54"	42"	47"	MCTS-54-42-47	AL	CRS
*CUSTOM SIZING AVAILABLE ON REQUEST*					

### MODULAR CHART TABLE XL

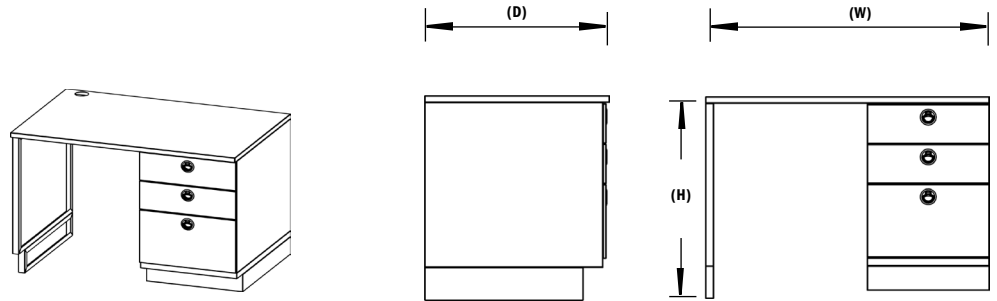
- Six drawers of chart storage
- Choice of construction material include aluminum or mild steel
- Choice of powder coat or conventional paint
- Many color options available
- Optional HPPL laminate
- Modular design to allow passage through narrow doorways at installation



WIDTH(W)	DEPTH(D)	HEIGHT(H)	PART NUMBER	MATERIAL	
78"	41"	40"	MCTX-78-41-40	AL	CRS
84"	41"	40"	MCTX-84-41-40	AL	CRS
90"	41"	40"	MCTX-90-41-40	AL	CRS
*CUSTOM SIZING AVAILABLE ON REQUEST*					

### SINGLE OFFICE DESK

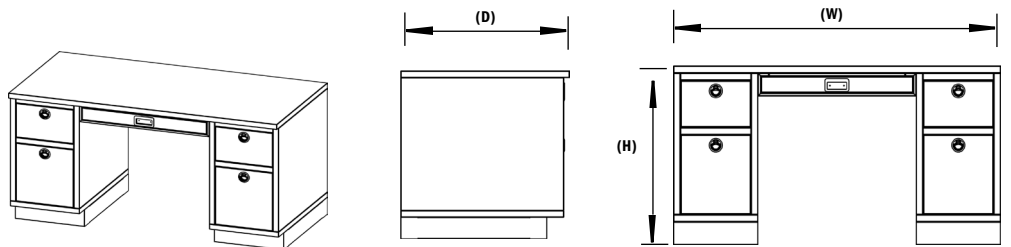
- Choice of construction material include aluminum or mild steel
- Choice of powder coat or conventional paint
- Many color options available



WIDTH(W)	DEPTH(D)	HEIGHT(H)	PART NUMBER	MATERIAL	
36"	30"	36"	SOD-36-30-36	AL	CRS
40"	30"	36"	SOD-40-30-36	AL	CRS
46"	30"	36"	SOD-46-30-36	AL	CRS
*CUSTOM SIZING AVAILABLE ON REQUEST*					

### DOUBLE OFFICE DESK

- Choice of construction material include aluminum or mild steel
- Choice of powder coat or conventional paint
- Many color options available



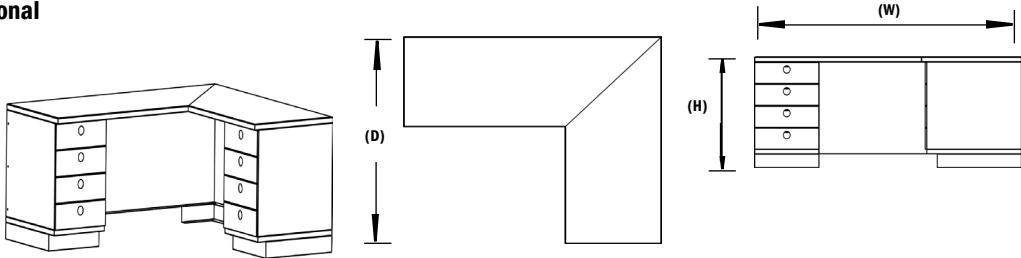
WIDTH(W)	DEPTH(D)	HEIGHT(H)	PART NUMBER	MATERIAL	
48"	30"	36"	DOD-48-30-36	AL	CRS
54"	30"	36"	DOD-54-30-36	AL	CRS
60"	30"	36"	DOD-60-30-36	AL	CRS
*CUSTOM SIZING AVAILABLE ON REQUEST*					



## OFFICE DESKS

### CORNER OFFICE DESK

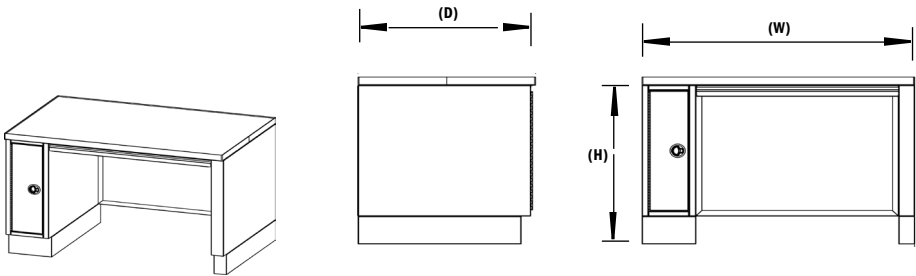
- Choice of construction material include aluminum or mild steel
- Choice of powder coat or conventional paint
- Many color options available
- Optional HPPL laminate



WIDTH(W)	DEPTH(D)	HEIGHT(H)	PART NUMBER	MATERIAL	
48"	40"	36"	COD-48-40-36	AL	CRS
50"	40"	36"	COD-50-40-36	AL	CRS
52"	40"	36"	COD-52-40-36	AL	CRS
*CUSTOM SIZING AVAILABLE ON REQUEST*					

### STANDARD COMPUTER DESK

- Choice of construction material include aluminum or mild steel
- Choice of powder coat or conventional paint
- Many color options available
- Optional HPPL laminate



WIDTH(W)	DEPTH(D)	HEIGHT(H)	PART NUMBER	MATERIAL	
44"	28"	30"	SCD-44-28-30	AL	CRS
48"	28"	30"	SCD-48-28-30	AL	CRS
52"	28"	30"	SCD-52-28-30	AL	CRS
*CUSTOM SIZING AVAILABLE ON REQUEST*					

## CUSTOM PILOTHOUSE ENCLOSURES

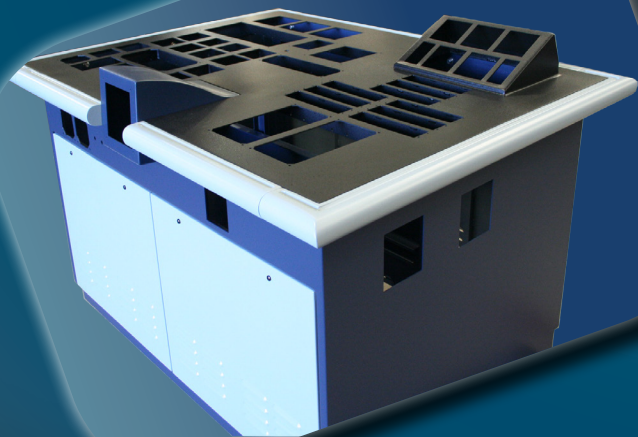
As you can see from the finished items shown here, there are quite a few boats operating the seas with our custom pilothouse enclosures installed. With so many ship designs and with the vast array of instrumentation required to keep the ship running, customization is a must.

We offer pilothouse enclosures in a wide range of materials including stainless steel, aluminum and or cold rolled steel. PEM hardware, including inserts, standoffs or studs can also be installed at the customers request. Helicoil thread inserts or standard hole tapping is also optional.

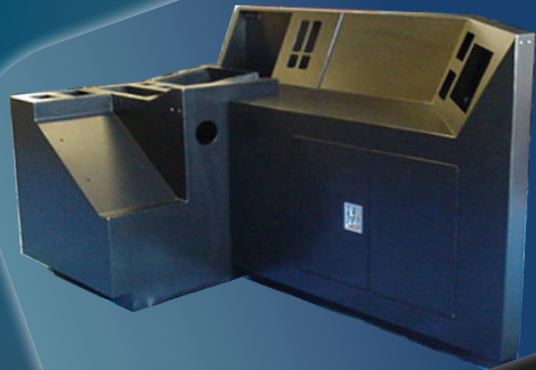
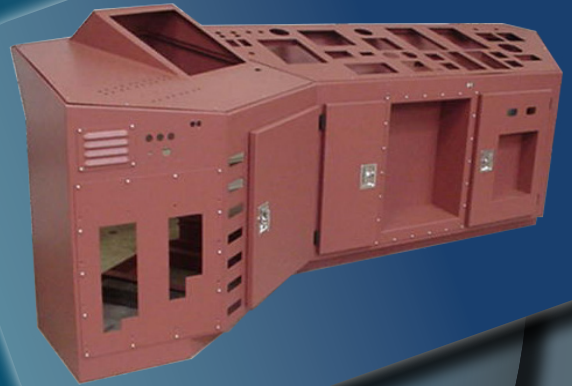
Custom pilothouse enclosure finish options include super durable powder coating or conventional liquid spray application painting with a wide range of available color options.

We also offer a wide variety of handles, latches and or hinges in assorted materials to meet your designs requirements.

Cable management designs as well as heat management options are also well within our range of capabilities.



# CUSTOM PILOTHOUSE ENCLOSURES





# CUSTOM ELECTRONIC ENCLOSURES

In today's ever evolving technologies environment, the need for custom enclosures is a must. We custom design and fabricate electronic instrumentation enclosures to meet your exacting requirements. From NEMA class enclosures to custom upgrades to existing cabinets or cabinet panels.

We offer electronic enclosures in a wide range of materials including stainless steel, aluminum and or cold rolled steel. PEM hardware, including inserts, standoffs or studs can also be installed at the customer's request. Helicoil thread inserts or standard hole tapping is also optional.

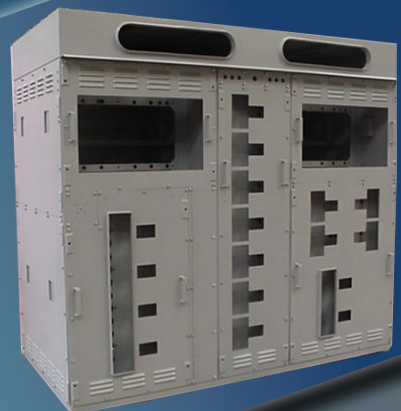
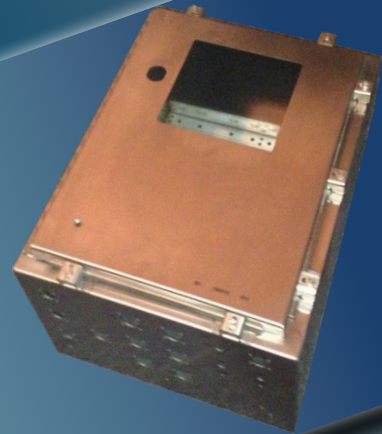
Custom enclosure finish options include super durable powder coating or conventional liquid spray application painting with a wide range of available color options.

We also offer a wide variety of handles, latches and or hinges in assorted materials to meet your design requirements.

Cable management designs as well as heat management options are also well within our range of capabilities.



# CUSTOM ELECTRONIC ENCLOSURES

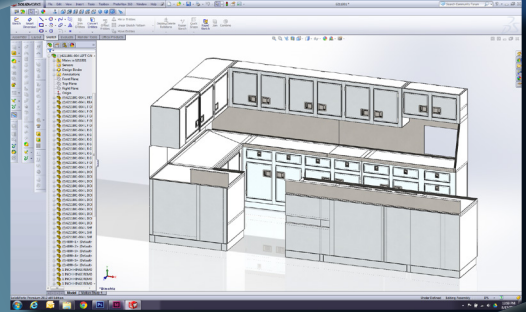




# CUSTOM CAPABILITIES

## CAD/CAM

Utilizing state of the art solid modeling and CAM software packages, we are able to generate a 3D visualization of product prior to production, allowing for fewer errors in produced items. We are able to import a variety of geometry formats including .dxf, .dwg, .iges, .sat and .step to name a few as well as Autodesk Inventor® and SolidWorks® parts or assemblies in their native format.



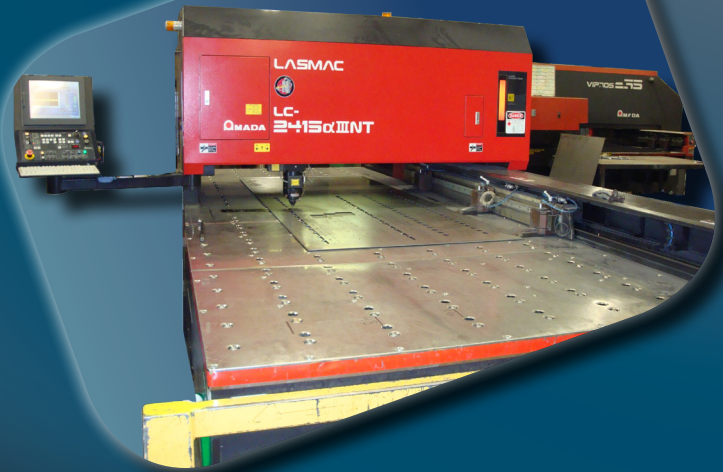
## CNC MILL/LATHE

Incorporating industry leading CAM software with our 3 axis CNC mills and Lathes, we are able to produce machined components which hold ultra precision tolerances over a wide range of materials. Producing complex drafted machined as well as CNC machine engraving are also some of the many features of our CNC mills.



## CNC LASER/PUNCH

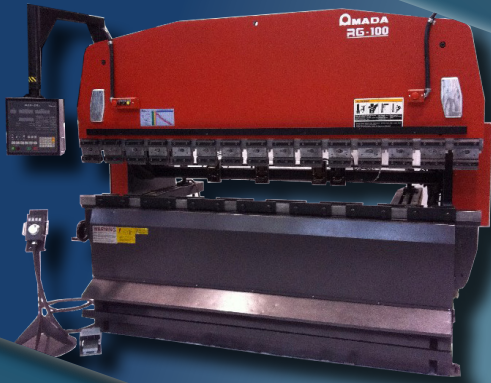
As today's design requirements get more and more complex, the need for clean and accurate sheet metal cutting becomes mandatory. These tasks are effortless with our CNC laser and CNC punch. Complex patterns may be cut on a wide range of materials and thicknesses. Laser etching is also an option on certain materials





### CNC METAL FORMING

With 40 and 60 ton bending capacity up to a 10 foot bend can be made on a variety of materials and thicknesses with astounding accuracy. A wide range of bending radii are also available to ensure your sheet metal components meet your exacting requirements. We also offer sheet metal rolling if your design requires it.



### MIG/TIG WELDING

Highly trained structural fitters and certified welders ensure your welded components meet your design requirements accurately and safely. We can weld and or braze a wide range of materials and thicknesses depending on your projects demands.



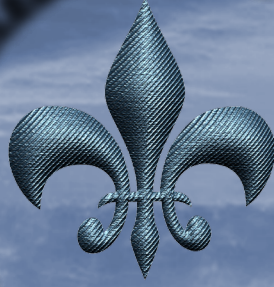
### POWDER COAT/PAINT

Powder coating offers extreme durability, excellent environmental endurance, eye popping color and is available in variety of textures including smooth, textured and hammer tone. Conventional spraying is also available for that 'old school' hot rod finish if required.





CELEBRATING 25 YEARS  
OF FABRICATION EXCELLENCE



*Quality Metal Works* 

5622 Powell St. • New Orleans, LA 70123 • 504.734.7216 Office